

AP-130-MNT-W2

Installation Guide

The AP-130-MNT-W2 allows you to mount your 130 Series access point to a flat surface or an electrical gang box. The AP-130-MNT-W2 can attach to several single and dual gangwall boxes, including US, UK and DIN standardized models.

Package Contents

- AP-130-MNT-W2 Mounting Bracket
- T8 Torx Security Screw

Installation

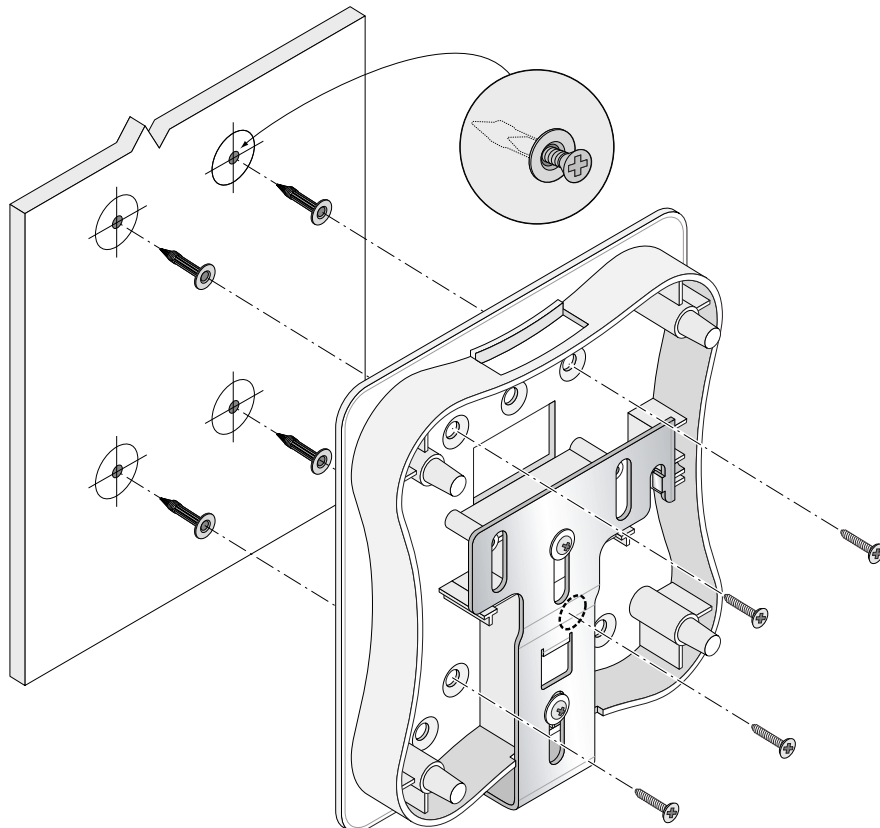
1. Begin by attaching the wall mount bracket to the wall as shown in [Figure 1](#).



If installing this kit on a electrical gang box, you may use a different set of screw holes for mounting. Which screw holes you use will depend on the electrical gang box in your installation.

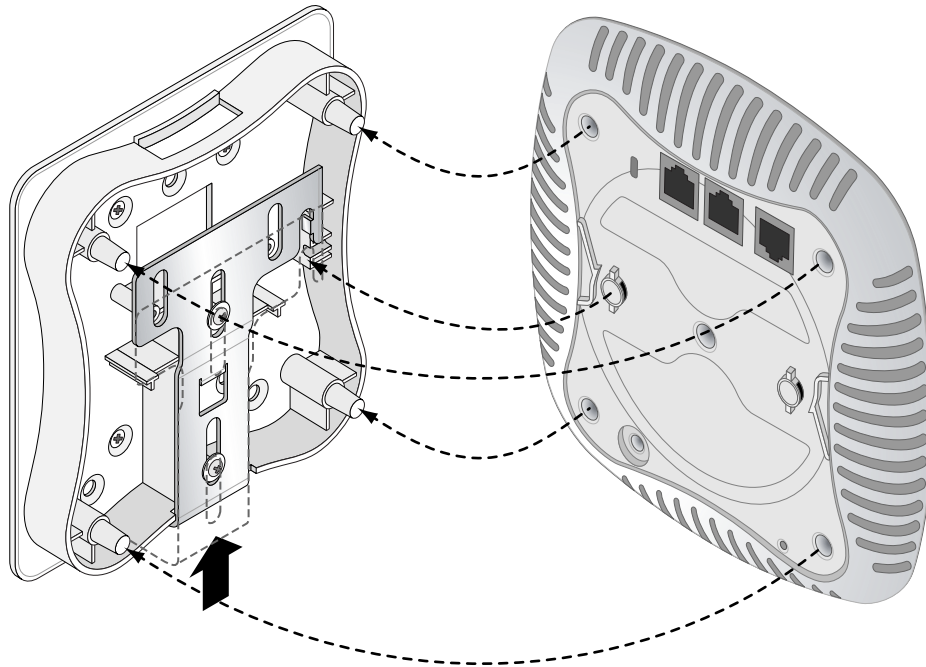
- a. Install any necessary wall anchors. Wall anchors are not included in this kit.
- b. Align the screw holes in the mounting bracket with the previously installed anchors or demarcated screw points.
- c. Insert the screws to secure the mounting bracket. Screws are not included in this kit.

Figure 1 Wall Mount Bracket to Wall



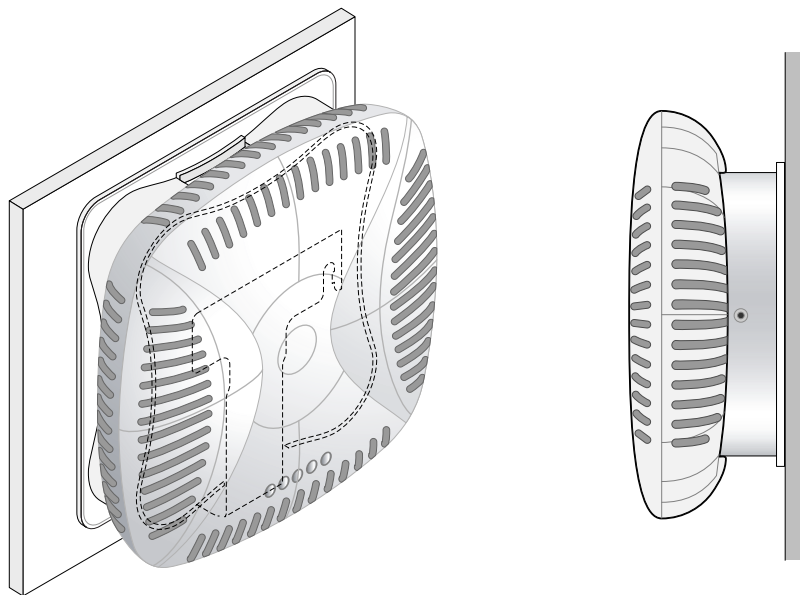
2. Attach any necessary cables and/or antennas to the AP. Cables can be fed through the opening above the metal slider on the bracket.
3. Push the metal slider up to allow the AP to connect.
4. While still pushing the metal slider, align the mounting posts on the bracket with the mounting holes shown in [Figure 2](#).

Figure 2 *Align the AP With the Bracket*



5. Once the AP is placed on the bracket, release the metal slider to lock the AP in place as shown in [Figure 3](#).

Figure 3 *Mounted AP*



6. (Optional) Attach the T8 Torx security screw, as shown in [Figure 4](#), for additional security.

Figure 4 Security Screw

